

# artos<sup>®</sup> Terroir PiquetPlus

## artos Terroir and PiquetPlus poles – the innovative generation!

True to the motto of artos pole systems: **intelligence and efficiency**, we placed high value on top-quality workmanship and easy handling while developing the **artos Terroir poles** and **PiquetPlus poles**.

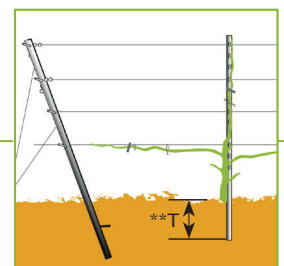
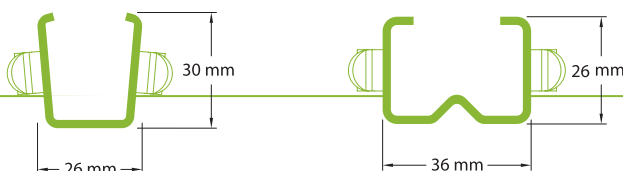
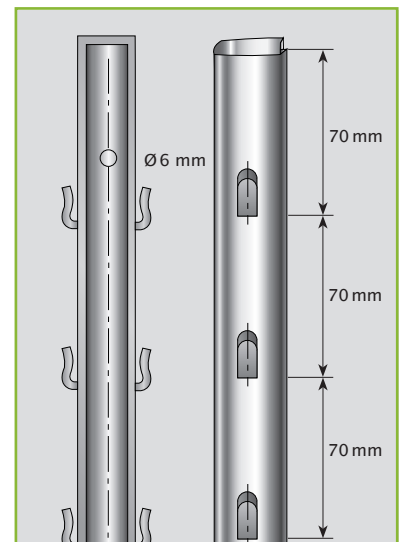
All Terroir and PiquetPlus poles have outside hooks in intervals of 70 mm arranged along their entire length. The user can attach any of the normal wires and flexi-wires to these hooks. The outside hooks facilitate a smooth and easy fixing and readjusting of the wires. This saves you an enormous amount of time.

**artos Terroir and PiquetPlus** poles are suitable for all types of ground conditions, for straight and sloping land surfaces alike. A reversal of the pole is an option for sloping land surfaces. The pole has a perfectly rounded form and is especially suitable for regions in which handpicking is the preferred way of harvesting.

The profiles and material thicknesses guarantee high stability and strength.

The easy handling, stability and workmanship of the **Terroir poles** make them ideal for deployment in winegrowing, orcharding and fence making.

**We'll gladly send you more information material for orcharding and landscaping work on request – please contact us!**





### Product range of the artos Terroir poles

Individually galvanized				
Material thickness (mm)	1,60	1,90	2,10	Recommended insertion depth **T
Length (mm)	Weight (kg)	Weight (kg)	Weight (kg)	
1400	1,29	1,55	1,72	400-500 mm
1500	1,38	1,66	1,84	400-500 mm
1600	1,47	1,77	1,96	500-600 mm

### Product range of the artos PiquetPlus poles

Individually galvanized				
Material thickness (mm)	1,60	1,90	2,10	Recommended insertion depth **T
Length (mm)	Weight (kg)	Weight (kg)	Weight (kg)	
1400	1,59	1,91	2,12	400-500 mm
1500	1,70	2,05	2,27	400-500 mm
1600	1,81	2,19	2,42	500-600 mm
1700	1,93	2,31	2,57	550-600 mm
1600	2,04	2,46	2,72	550-600 mm

Pre-galvanized			
Material thickness (mm)	1,50	2,00	Recommended insertion depth **T
Length (mm)	Weight (kg)	Weight (kg)	
1400	1,24	1,66	400-500 mm
1500	1,33	1,77	400-500 mm
1600	1,42	1,89	500-600 mm

Pre-galvanized			
Material thickness (mm)	1,50	2,00	Recommended insertion depth **T
Length (mm)	Weight (kg)	Weight (kg)	
1400	1,53	2,04	400-500 mm
1500	1,64	2,19	400-500 mm
1600	1,74	2,33	500-600 mm
1700	1,86	2,47	550-600 mm
1600	1,96	2,62	550-600 mm

Different lengths on request.

#### Information:



Pole systems for vineyards

Vertriebsgesellschaft KG

Vor dem Schloss 27

D-55234 Bechtolsheim

Tel +49 (0)6733 / 9499227

Fax +49 (0)6733 / 929631

email: kontakt@artos-weinbergpfahl.de

www.artos-weinbergpfahl.de

#### Production & Sale:



Meiser Vogtland OHG

Am Lehmteich 3

D-08606 Oelsnitz

Tel +49 (0)3 74 21/50 23 03

Fax +49 (0)3 74 21/50 23 10

email: info@meiser.de

www.meiser.de

